

# H42X-10 H12X-10 型升降式底阀

## H42X-10 H12X-10 Lifting bottom valve

用途：本阀门安装在水泵吸水管路的底端，能自动阻止流体倒流。

Usage: At the downstream of the water sucking pipelines, the valve can automatically prevent water from flowing backward.

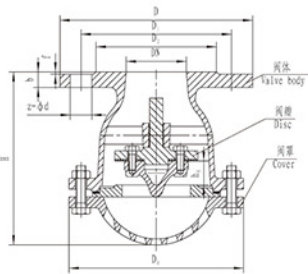


### 主要零件材料 Main parts and materials

零件名称 Parts name	材料 Material
阀体、阀罩、阀瓣 Valve body, Valve cover, Disc	灰铸铁 Grey iron
密封圈 Seal ring	氟橡胶 PTFE

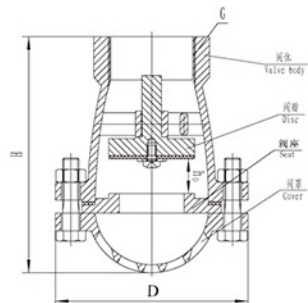
### 性能规范 Function and specification

型号 Type	公称压力 Nominal pressure (MPa)	试验压力 Testing pressure		适用温度 Suitable temperature (°C)	适用介质 Suitable medium
		强度(水) Strength (Water) (MPa)	密封(水) Enclose (Water) (MPa)		
H42X-10	1.0	1.5	1.1	≤ 50	水 Water
H12X-10					



### 外型尺寸和连接尺寸 Outline and connecting measurement

型号 Type	公称口径 Nominal DN (mm)	尺寸 Measurement (mm)							
		D	D <sub>1</sub>	D <sub>2</sub>	b-f	Z-φd	D <sub>0</sub>	h <sub>0</sub>	H
H42X-10	50	160	125	100	20-3	4-φ18	145	20	145
	65	180	145	120	20-3	4-φ18	160	20	161
	80	195	160	135	22-3	4-φ18	190	26	177.5
	100	215	180	155	22-3	8-φ18	230	30	213
	125	245	210	185	24-3	8-φ18	260	35.5	236
	150	280	240	210	24-3	8-φ23	343	43.5	315
	200	335	295	265	26-3	8-φ23	429	60	380
	250	390	350	320	28-3	12-φ23	501	71	468
	300	440	400	368	28-4	12-φ23	566	82	552



### 外型尺寸和连接尺寸 Outline and connecting measurement

型号 Type	G	D	H	h <sub>0</sub>
H12X-10	1/2	96	98.5	5
	3/4	128	116	7
	1	120	145	8
	1 1/4	138	152	10
	1 1/2	140	164	21
	2	148	184	23