
LXH-15A~20A

volumetric rotary piston water meter



Application:

--Measuring the total volume of cold portable water passing through the pipeline.

Feature:

-- Adopt volumetric rotary piston principle of measurement with conformity to ISO 4064 class C, High sensitivity enables the accurate measurement even at a low flow rate of 4 l/h, No location limitation for installation. Accuracy is not to be affected wherever installed at a horizontal, vertical or inclined pipeline Register is sealed with a special liquid to keep a clear reading in long term service Mechanical parts use of high-quality material to ensure a stable characteristic

Working condition:

1. Water temperature: $\leq +50^{\circ}\text{C}$

Water pressure: $\leq 1\text{MPa}$

Maximum permissible error:

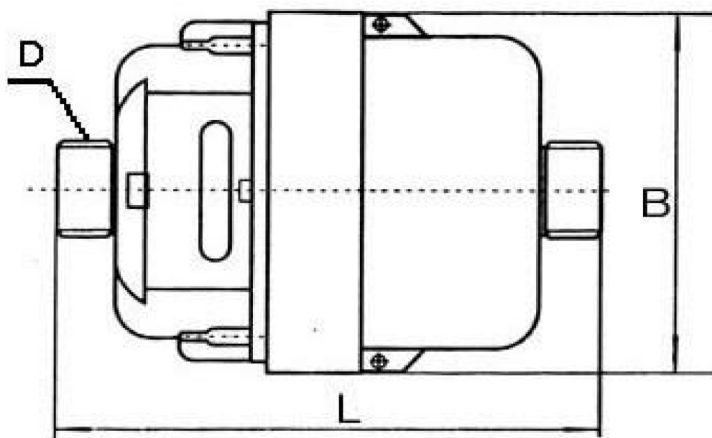
(1) in the lower zone from q_{\min} inclusive up to but excluding q_t is $\pm 5\%$.

(2) in the upper zone from q_t inclusive up to and including q_s is $\pm 2\%$;

MAIN TECHNICAL SPECIFICATIONS

| Type | Size (mm) | Class | q_s | q_p | q_t | q_{min} | Min. Reading | Max. Reading |
|---------|-----------|-------|-----------|--------------|-------------------|-----------|--------------|--------------|
| | | | Max. Flow | Nominal Flow | Transitional Flow | Min. Flow | | |
| | | | m^3/h | | L/h | | m^3 | |
| LXH-15A | 15/18 | C | 3 | 1.5 | 22.5 | 15.0 | 0.0001 | 9999 |
| | | D | | | 17.25 | 11.25 | | |
| LXH-20A | 20 | C | 5 | 2.5 | 37.5 | 25 | 0.0001 | 9999 |
| | | D | | | 28.75 | 18.75 | | |

2. DIMENSION



MAXIMUM PERMISSIBLE ERROR:

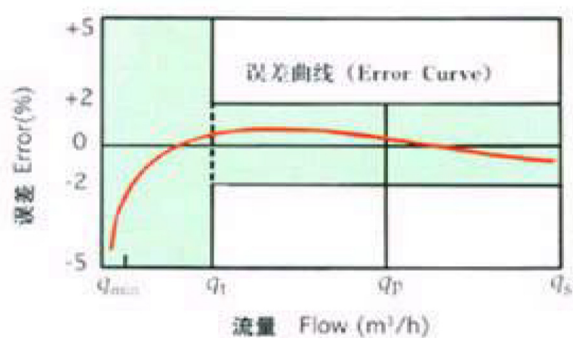
- A) in the lower zone from q_{min} inclusive up to but excluding q_t is $\pm 5\%$
- B) in the upper zone from q_t inclusive up to and including q_s is $\pm 2\%$

DIMENSIONS AND WEIGHT

| Type | Length (mm) | Width (mm) | Connection Thread | Weight (kg) |
|---------|-------------|------------|-------------------|-------------|
| LXH-15A | 115 | 86/88 | G3/4B | 0.85 |
| LXH-20A | 134/165/190 | 90 | G1B | 1.3/1.6/1.8 |

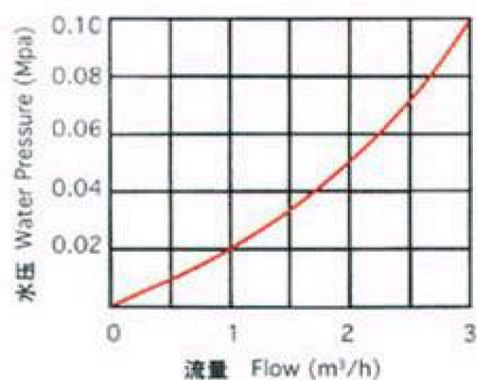
Flow Error Curve

- 流量误差曲线 Flow Error Curve



Head Loss Curve

- 压力损失曲线 Head Loss Curve



| Code | Description | QTY |
|------|-----------------------|-----|
| 1 | Nut | 2 |
| 2 | Coupling | 2 |
| 3 | Gasket | 2 |
| 4 | Copper Wire | 1 |
| 5 | Seal lead | 1 |
| 6 | Bottom Body | 1 |
| 7 | O-ring | 1 |
| 8 | Non-return Valve | 1 |
| 9A | Strainer | 1 |
| 9B | Chamber | 1 |
| 9C | Bush | 1 |
| 9D | Division plate | 1 |
| 9E | Piston | 1 |
| 9F | Cover | 1 |
| 10 | Clamp frame | 1 |
| 11 | Spring | 1 |
| 12 | Clamp slider | 1 |
| 13 | Transmission assembly | 1 |
| 14 | Register | 1 |
| 15 | O-ring | 1 |
| 16 | Upper body | 1 |
| 17 | Lid | 1 |
| 18 | Hinge pin | 1 |

Exploded View

