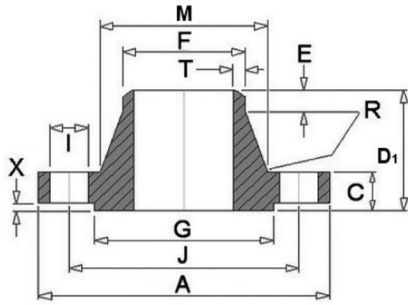
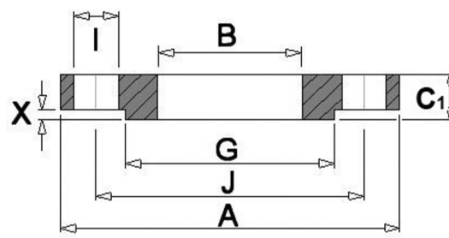


BS4504 PN16 Flanges

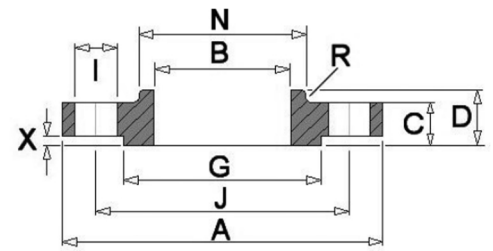
CODE 111



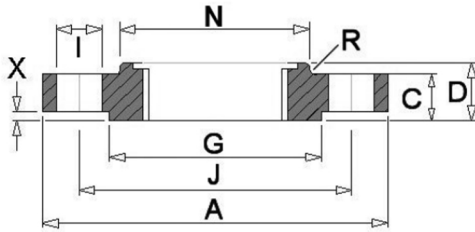
CODE 101



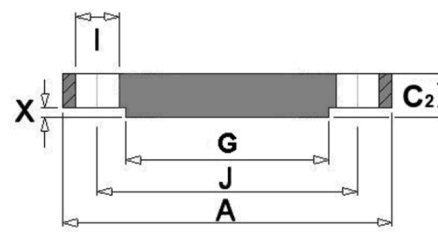
CODE 112



CODE 113



CODE 105



Dimensions in mm

Nom. Size	Flange					Raised Face		Boss	No.	Drilling		Bolting	Neck					Bore Diameter	
	A	C	C1	C2	D	D1	G			X	I		J	M	F	E	R		T
10	90	14	14	14	20	35	40	2	30	4	14	60	M12	28	17.2	6	3	1.8	18.0
15	95	14	14	14	20	35	45	2	35	4	14	65	M12	32	21.3	6	3	2.0	22.0
20	105	16	16	16	24	38	58	2	45	4	14	75	M12	39	26.9	6	4	2.3	27.5
25	115	16	16	16	24	38	68	2	52	4	14	85	M12	46	33.7	6	4	2.6	34.5
32	140	16	18	16	26	40	78	2	60	4	18	100	M16	56	42.4	6	5	2.6	43.5
40	150	16	18	16	26	42	88	3	70	4	18	110	M16	64	48.3	7	5	2.6	49.5
50	165	18	20	18	28	45	102	3	84	4	18	125	M16	74	60.3	8	5	2.9	61.5
65	185	18	20	18	32	45	122	3	104	4 / 8	18	145	M16	92	76.1	10	6	2.9	77.5
80	200	20	20	20	34	50	138	3	118	8	18	160	M16	110	88.9	10	6	3.2	90.5
100	220	20	22	20	40	52	162	3	140	8	18	180	M16	130	114.3	12	6	3.6	116.0
125 *	250	22	22	22	44	55	188	3	168	8	18	210	M16	158	139.7	12	6	4.0	141.5
150	285	22	24	22	44	55	212	3	195	8	22	240	M20	184	168.3	12	8	4.5	170.5
200	340	24	26	24	44	62	268	3	246	12	22	295	M20	234	219.1	16	8	5.6	221.5
250	405	26	29	26	46	70	320	3	298	12	26	355	M24	288	273.0	16	10	6.3	276.5
300	460	28	32	28	46	78	378	4	350	12	26	410	M24	342	323.9	16	10	7.1	327.6
350	520	30	35	30	57	82	438	4	400	16	26	470	M24	390	355.6	16	10	8.0	359.0
400	580	32	38	32	63	85	490	4	456	16	30	525	M27	444	406.4	16	10	8.0	411.0
450	640	34	42	36	63	87	550	4	502	20	30	585	M27	490	457.0	16	12	8.0	462.0
500	715	34	46	36	73	90	610	4	559	20	33	650	M30	546	508.0	16	12	8.0	513.5
600	840	36	52	44	83	95	725	5	658	20	36	770	M33	650	610.0	18	12	8.8	616.5
700	910	36	60	48	83	100	795	5	760	24	36	840	M33	750	711.0	18	12	8.6	-
800	1025	38	68	52	90	105	900	5	864	24	39	950	M36	848	813.0	20	12	10.0	-
900	1125	40	76	58	94	110	1000	5	968	28	39	1050	M36	948	914.0	20	12	10.0	-
1000	1255	42	84	64	100	120	1115	5	1072	28	42	1170	M39	1056	1016.0	22	12	10.0	-
1200	1485	48	98	76	-	130	1330	5	-	32	48	1390	M45	1260	1220.0	30	12	12.5	-
1400	1685	52	-	-	-	145	1530	5	-	36	48	1590	M45	1465	1420.0	30	12	14.2	-
1600	1930	58	-	-	-	160	1750	5	-	40	56	1820	M52	1668	1620.0	35	12	16.0	-
1800	2130	62	-	-	-	170	1950	5	-	44	56	2020	M52	1870	1820.0	35	15	17.5	-
2000	2435	66	-	-	-	190	2150	5	-	48	62	2230	M56	2072	2020.0	40	15	20.0	-

* Care should be taken with these sizes as the pipe o.d. does not relate to normal stainless steel dimensions.

1. Weldnecks (code 111) are bored to suit schedule of pipework used.

2. Code 105 flanges are supplied flat faced unless otherwise requested by the purchaser.