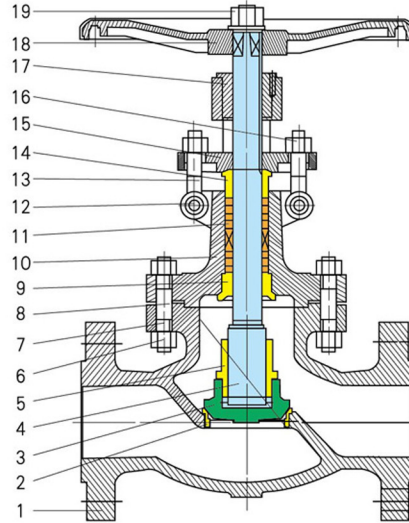


## 美标截止阀

API GLOBE VALVE CLASS150/300/900

Стандарт Америкии Запорный клапан Ру150/300/900



### 标准 Standards

设计制造 Design and Manufacture:BS1873 or ASME B16.34  
检验与试验 Inspection and Test:API598  
法兰连接尺寸 End flange dimension:ASME B16.5  
过焊端 BW end dimension:ASME B16.25

承插焊端 Socket-weld dimension:ASME B16.11  
结构长度 Face to face and end to end:ASME B16.10  
高压等级 Pressure-temperature ratings:ASME B16.34

### 主要零件名称及材料 Parts and Material List

Parts No.	Parts Name	Materials				
		WCB/Trim1	WCB/Trim5	WCB/Trim8	CF8/304	CF8M/316
1	阀体body	ASTM A216 WCB	ASTM A216 WCB	ASTM A216 WCB	ASTM A351 CF8	ASTM A351 CF8M
2	阀座 Seat ring	A105+13Cr	A105+STL	A105+STL	ASTM A351 CF8	ASTM A351 CF8M
3	阀瓣 Disc	ASTMA216 WCB+13Cr	ASTMA216 WCB+STL	ASTMA216 WCB+13Cr	ASTMA351 CF8	ASTMA351 CF8M
4	阀杆 Stem	ASTM A182 F6a	ASTM A182 F6a	ASTM A182 F6a	ASTM A182 F304	ASTM A182 F316
5	阀瓣盖 Disc nut	ASTM A216 WCB	ASTM A216 WCB	ASTM A216 WCB	ASTM A351 CF8	ASTM A351 CF8M
6	阀盖螺母 Bonnet nut	ASTM A194 2H	ASTM A194 2H	ASTM A194 2H	ASTM A194 8	ASTM A194 8M
7	阀盖螺栓 Bonnet bolt	ASTM A193 B7	ASTM A193 B7	ASTM A193 B7	ASTM A193 B8	ASTM A193 B8M
8	垫片 Gasket	304 sheet + Graphite	304 sheet + Graphite	304 sheet + Graphite	304 + Graphite	316 + Graphite
9	上密封座Backseat bushing	ASTM A182 F6a	ASTM A182 F6a	ASTM A182 F6a	ASTM A351 CF8	ASTM A351 CF8M
10	阀盖 Bonnet	ASTM A216 WCB	ASTM A216 WCB	ASTM A216 WCB	ASTM A351 CF8	ASTM A351 CF8M
11	填料 Packing	Graphite	Graphite	Graphite	Graphite	Graphite
12	圆柱销 Eyebolt pin	ASTM A36	ASTM A36	ASTM A36	304ss	316ss
13	螺钉 Gland eyebolt	ASTM A193 B7	ASTM A193 B7	ASTM A193 B7	ASTM A193 B8	ASTM A193 B8M
14	填料压套 Gland	ASTM A182 F6a	ASTM A182 F6a	ASTM A182 F6a	ASTM A182 F304	ASTM A182 F316
15	填料压板 Gland flange	ASTM A216 WCB	ASTM A216 WCB	ASTM A216 WCB	ASTM A351 CF8	ASTM A351 CF8M
16	吊环螺母 Eyebolt nut	ASTM A194 2H	ASTM A194 2H	ASTM A194 2H	ASTM A194 8	ASTM A194 8M
17	阀杆螺母 Stem nut	ASTM A439 D2	ASTM A439 D2	ASTM A439 D2	ASTM A439 D2	ASTM A439 D2
18	手轮Hand wheel	Ductile Iron	Ductile Iron	Ductile Iron	Ductile Iron	Ductile Iron
19	手轮螺母Hand wheel nut	Carbon steel	Carbon steel	Carbon steel	Carbon steel	Carbon steel

注：上表仅列出了磅级及K级铸钢截止阀零部件材料最常用配置，根据用户要求或阀门的实际使用工况，我公司可以提供其他多种不同的零部件配置。  
Note: The chart above only lists out some common composition of steel globe valve parts, We may provide other different parts material composition according to the customer's request or the actual valve working condition.

## 截止阀结构特点The Features of Globe Valve

栓接阀盖，明杆支架和升降式阀杆金属密封面。

Bolted Bonnet ; Outside Screw and Yoke ; Rising stems ; Metallic seating surfaces.

## 阀杆设计Stem Design

采用整体锻造工艺制成，按照标准要求确定最小直径。

The stem is of integral forged design . The minimum diameter of the stem shall per the standard requirement .

## 弹簧加载填料冲击系统Belleville Spring Loaded Packing Impacting System

如果客户要求，可采用弹簧加载填料冲击系统提高填料密封的持久性和可靠性。

If being requested by the customer , the Belleville spring loaded packing impacting system can be adopted for enhancing the durability and reliability of the packing seal .

## 上密封座设计Back Seating Design

我们公司提供所有截止阀都有倒密封设计，通常情况下，碳钢截止阀的阀座设计采用分离式倒密封结构，不锈钢截止阀的倒密封是直接加工或是焊后加工。当阀门在全开位置时，倒密封的封面非常可靠。虽然按照标准APL600中有倒密封，但这不作为在带压情况下更换填料的依据。

All our globe valves have the back seating design . In most cases , the carbon steel globe valve is fitted with a renewable back seat . For stainless steel globe valve , the back seat is machined directly in the bonnet or is machined after welding . When the globe valve is at fully open position , the sealing of the back seat can be very reliable . However , as per the requirement of API , it is not advisable to add or change packing by the mean of back seating when the valve is pressure containing .

## 阀座Seat

碳钢截止阀阀座通常采用锻钢材料，阀座密封面可根据客户要求喷焊硬质合金，NPS≤10”的截止阀采用分离式螺纹旋入式阀座，如果用户需要焊阀座结构也可提供；NPS≥12”截止阀采用焊阀座结构；不锈钢截止阀的阀座一般采用整体式或者在本体上焊硬质合金后直接加工阀座。如果用户有需求，不锈钢截止阀阀座也可采用分离式螺纹旋入式和焊接阀座结构。

For carbon steel globe valve , the seat is usually forged steel . The sealing surface of the seat is spray welded with hard alloy specified by the customer . Renewable threaded seat is used for NPS≤10 globe valves , and welded on seat can be also optional if being requested by the customer . Welded on seat is used for NPS≥12 carbon steel globe valves . For Stainless steel globe valve , integral seat is usually adopted , or to weld hard alloy directly integrally . Threaded or welded on seat is also optional for stainless steel global valve if being requested by the customer .

## 阀杆螺母Stem Nut

通常情况下，阀杆螺母材料采用ASTM A439 D2,同时可以根据用户要求采用铜合金等材料，对于大口径的截止阀，装滚动轴承，可以有效减小截止的开启力矩，使阀门可以轻松开关。

Usually , the stem nut is made of ASTM A439 D2. It is also can be made of copper ally if being requested by the customer . For large sized globe valve , rolling bearing is fitted at the two sides of stem nut in order to minimize the open and close torque of the globe valve .

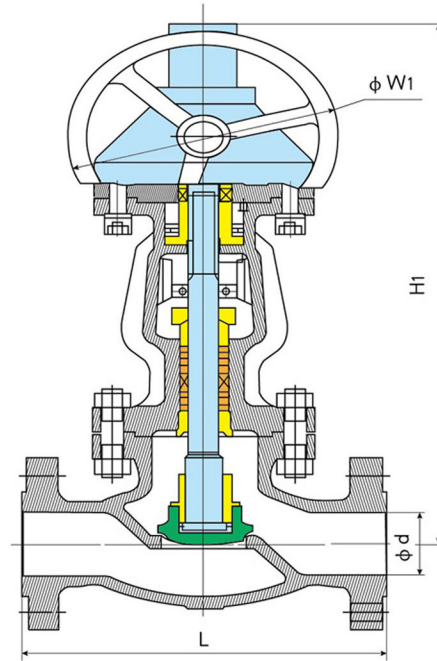
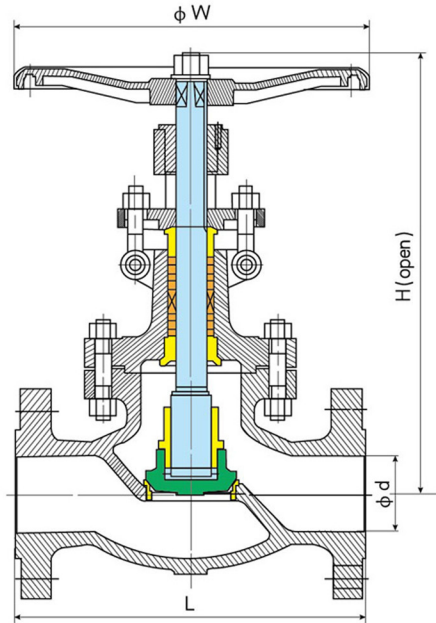
## 特殊截止阀Special Globe Valve

除通用截止阀外，还可以提供低温截止阀、波纹管截止阀和夹套截止阀等等。

### 美标截止阀

#### API GLOBE VALVE CLASS150

Стандарт Америки Запорный клапан Ру150



#### Class150 & JIS10K

主要外形尺寸及参考重量 Main Size of Outside & Weight

磅级 Class	口径Size		尺寸Dimensions(mm)								参考重量Weight(kg)	
	NPS	DN	L			d	H	H <sub>1</sub>	W	W <sub>1</sub>	手轮 Handwheel	传动装置 Gear box
			RF	RTJ	BW							
150	1/2	15	108	119	108	13	182	-	100	-	3	-
	3/4	20	117	130	117	19	193	-	100	-	4	-
	1	25	127	140	127	25	217	-	100	-	5	-
	1 1/4	32	140	152	140	32	235	-	135	-	8	-
	1 1/2	40	165	178	165	38	258	-	135	-	9	-
	2	50	203	216	203	51	330	-	200	-	19	-
	1 1/2	65	216	229	216	64	360	-	250	-	27	-
	3	80	241	254	241	76	390	-	280	-	36	-
	4	100	292	305	292	102	445	-	300	-	53	-
	5	125	356	369	356	127	480	-	350	-	75	-
	6	150	406	419	406	152	520	556	350	310	94	126
	8	200	495	508	495	203	600	659	400	310	148	180
10	250	622	635	622	254	773	805	450	460	242	291	
12	300	698	711	698	305	880	955	500	460	438	480	



Class300 & JIS20K

主要外形尺寸及参考重量 Main Size of Outside & Weight

磅级 Class	口径Size		尺寸Dimensions(mm)								参考重量Weight(kg)	
	NPS	DN	L			d	H	H <sub>1</sub>	W	W <sub>1</sub>	手轮 Handwheel	传动装置 Gear box
			RF	RTJ	BW							
300	1/2	15	152	164	152	13	185	-	100	-	5	-
	3/4	20	178	191	178	19	195	-	100	-	7	-
	1	25	203	216	203	25	220	-	135	-	10	-
	1 1/4	32	216	229	216	32	240	-	135	-	14	-
	1 1/2	40	229	241	229	38	260	-	160	-	19	-
	2	50	267	283	267	51	385	-	200	-	25	-
	2 1/2	65	292	308	292	64	420	-	200	-	42	-
	3	80	318	333	318	76	440	-	280	-	46	-
	4	100	356	371	356	102	515	-	350	-	74	-
	5	125	400	416	400	127	580	-	350	-	111	-
	6	150	444	460	444	152	660	690	400	310	165	195
	8	200	559	575	559	203	900	950	550	460	275	327
10	250	622	638	622	254	950	990	600	460	400	452	
12	300	711	727	711	305	1030	1080	700	460	624	725	

Class600 & Class900

主要外形尺寸及参考重量 Main Size of Outside & Weight

磅级 Class	口径Size		尺寸Dimensions(mm)								参考重量Weight(kg)	
	NPS	DN	L			d	H	H <sub>1</sub>	W	W <sub>1</sub>	手轮 Handwheel	传动装置 Gear box
			RF	RTJ	BW							
600	2	50	292	295	292	51	360	-	250	-	32	-
	2 1/2	65	330	333	330	64	410	-	280	-	42	-
	3	80	356	359	356	76	465	-	300	-	63	-
	4	100	432	435	432	102	545	575	400	310	107	138
	5	125	508	511	508	127	625	660	500	310	185	215
	6	150	559	562	559	152	785	820	550	460	290	342
	8	200	660	664	660	200	930	960	650	460	540	645
900	2	50	368	371	368	47	480	-	350	-	55	-
	2 1/2	65	419	422	419	57	520	-	350	-	68	-
	3	80	381	384	381	73	564	630	400	310	95	128
	4	100	457	460	457	98	685	720	450	310	160	210
	5	125	559	562	559	121	780	840	550	460	270	325
	6	150	610	613	610	146	950	1015	650	460	410	480